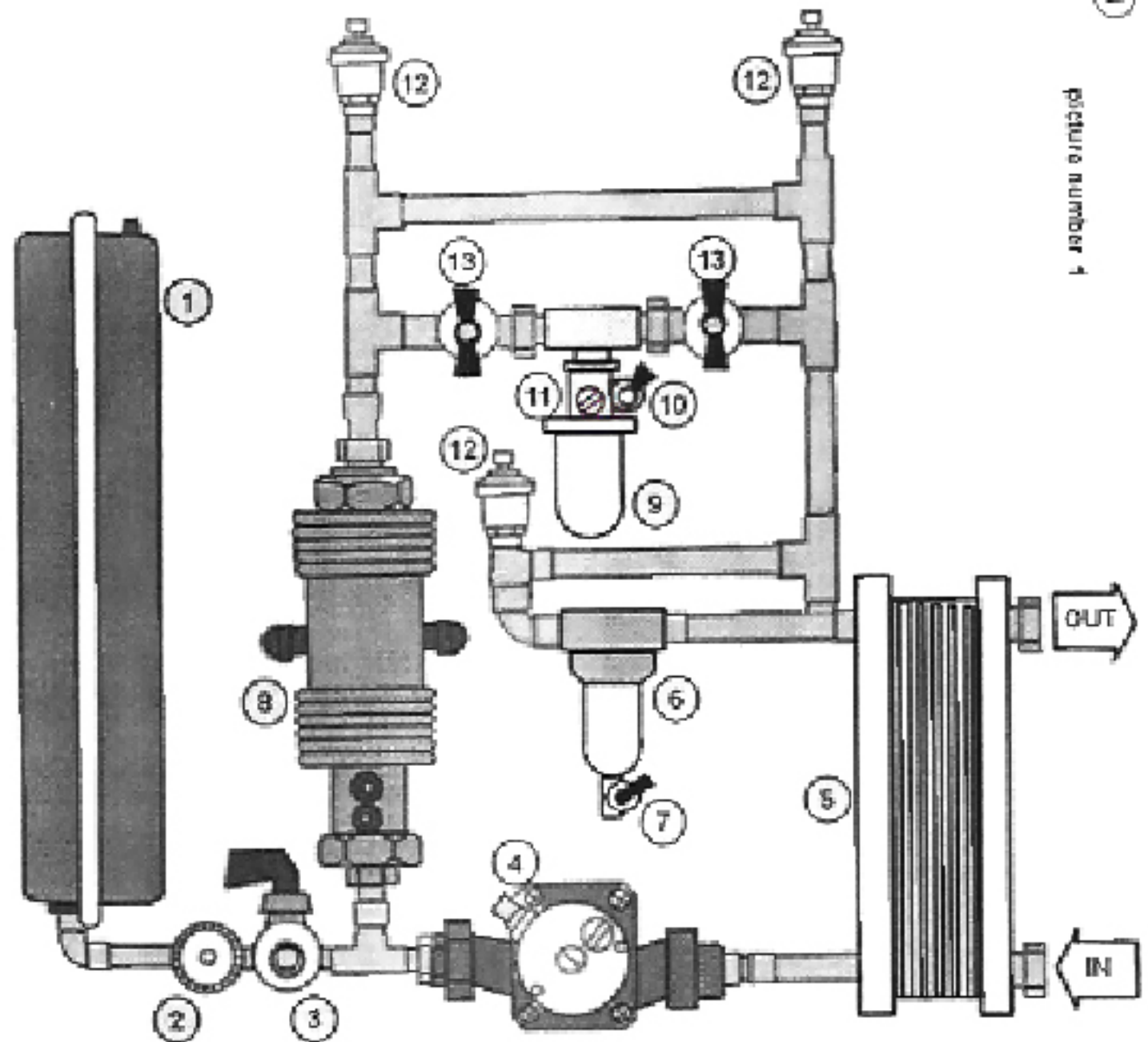


## Mounting scheme

1. Expansion vessel
2. Safety vent
3. Fill-drain valve
4. Circulation pump
5. Exchanger
6. Filter
7. Vent
8. Boiler
9. Dozer
10. Vent
11. Automatic air vent
12. Automatic air vent
13. Vent



picture number 1

4